

# ALL-NEW 10-SPEED TRANSMISSION

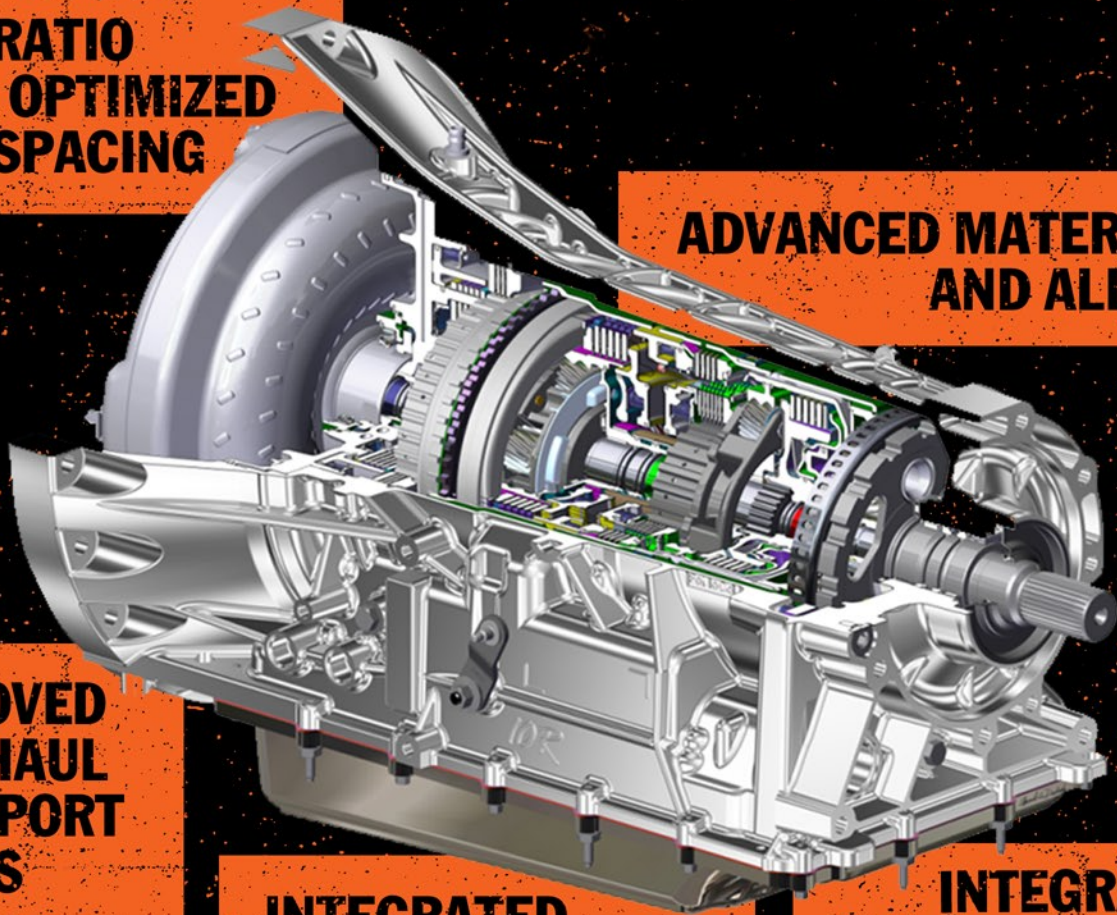
**WIDE RATIO SPAN, OPTIMIZED GEAR SPACING**

**ADVANCED MATERIALS AND ALLOYS**

**IMPROVED TOW/HAUL AND SPORT MODES**

**INTEGRATED AUTO START-STOP E-PUMP**

**INTEGRATED TURBINE CLUTCH**



The all-new Ford-built transmission – the first volume-production 10-speed automatic transmission available to consumers from any automaker – will deliver improved acceleration and performance compared with previous six-speed automatic transmissions.

